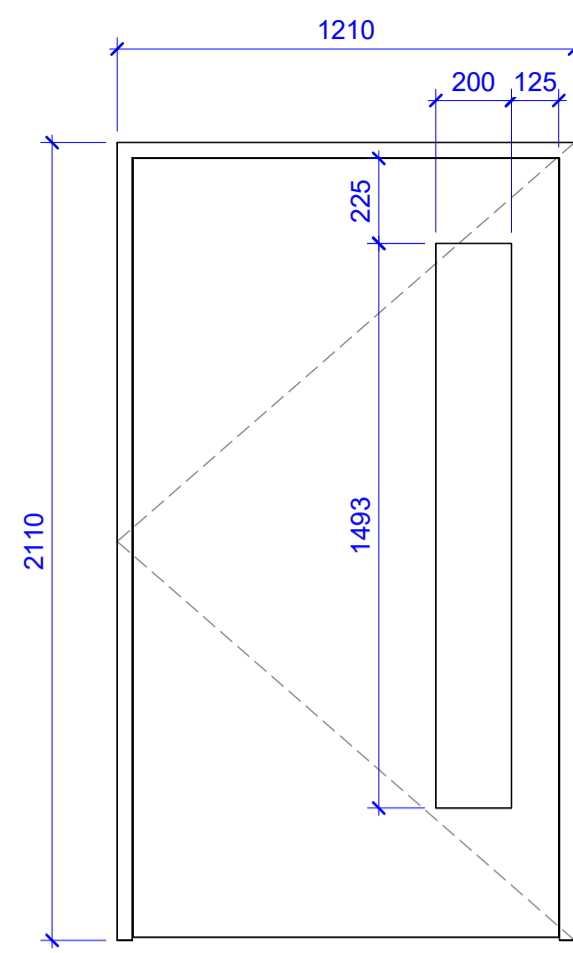
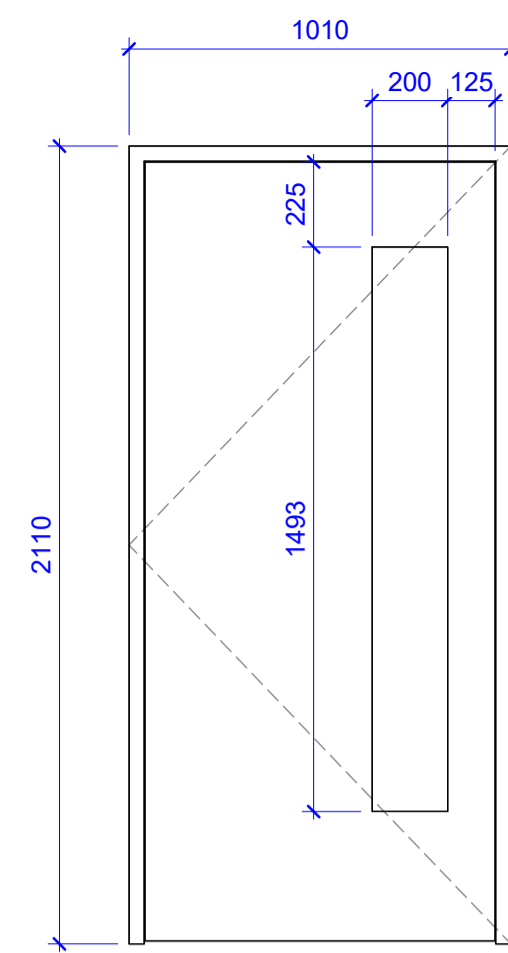


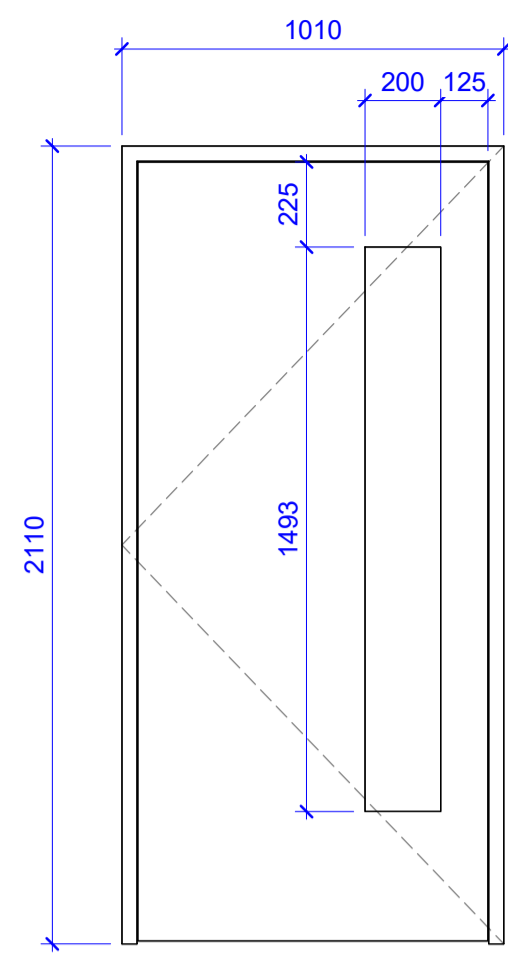
STANDARD NOTES:  
 1. THE CONTRACTOR MUST VERIFY THE DIMENSIONS AT THE SITE BEFORE COMMENCING ANY WORK AND PREPARING ANY SHOP DRAWINGS.  
 2. DO NOT SCALE THIS DRAWING.  
 3. UNLESS SHOWN OTHERWISE, ALL DIMENSIONS ARE TO STRUCTURAL SURFACES.



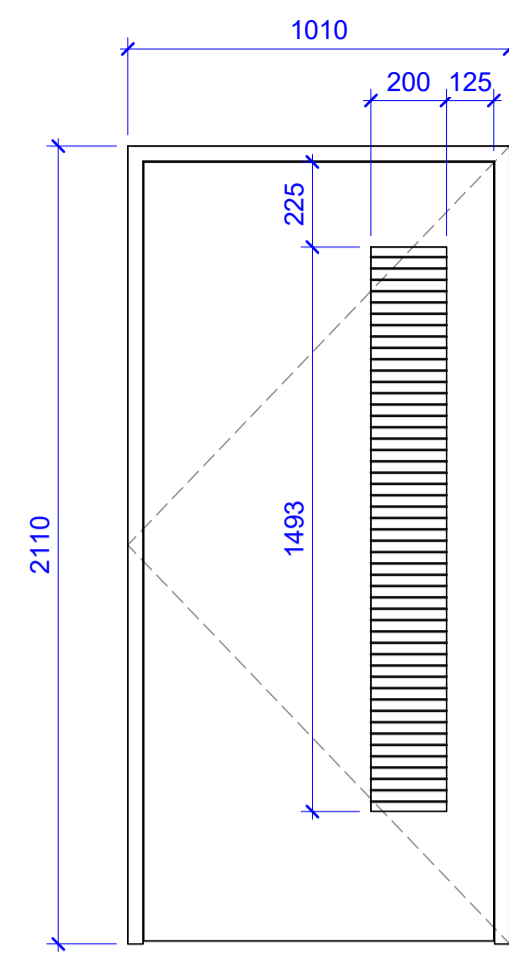
**TYPE A  
D052.2**  
 • AUTOMATIC WITH SWIPE ACCESS CONTROL  
 • CLOSER  
 • FD30S  
 • VISION PANEL  
 • PUSH AND PULL HANDLE  
 • DOOR STOP  
 • FD60S



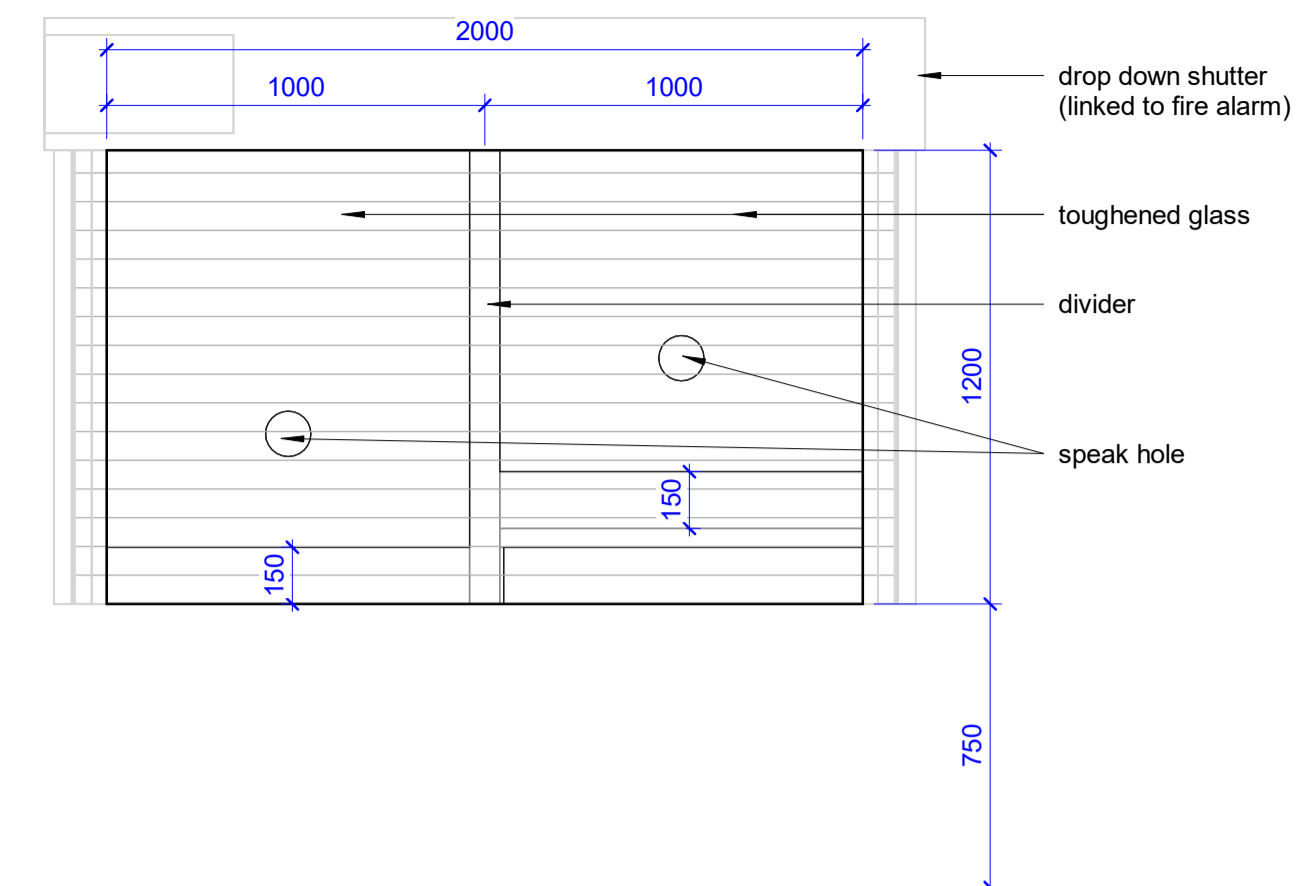
**TYPE A  
D051.1**  
 • AUTOMATIC DOOR WITH REMOTE OPERATE SENSOR PAD  
 • CLOSER  
 • FD30S  
 • VISION PANEL  
 • PUSH AND PULL HANDLE



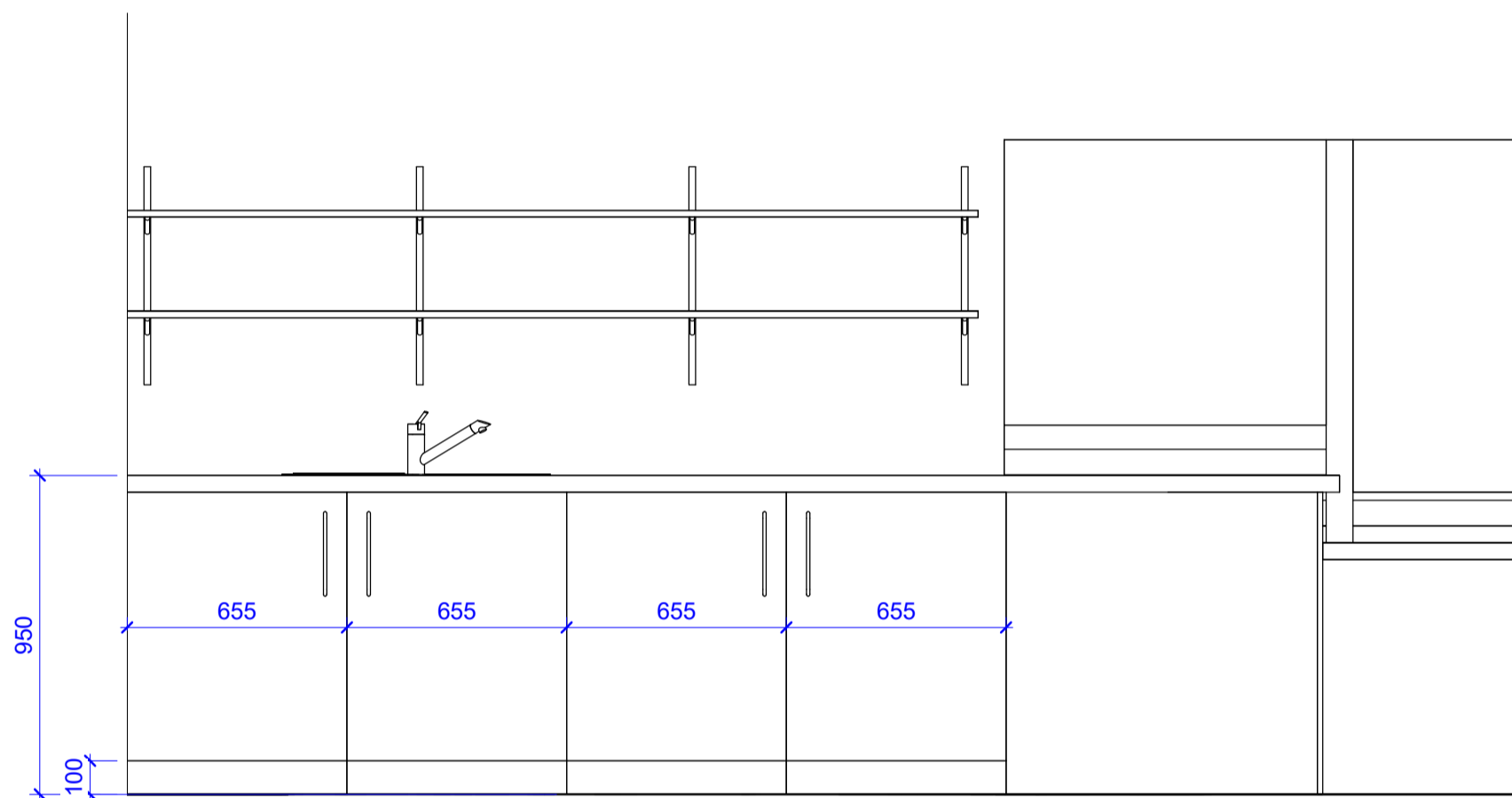
**TYPE B  
D055.1, D052.1, D082.1**  
 • SWIPE CARD ACCESS CONTROL  
 • CLOSER  
 • VISION PANEL  
 • LEVER HANDLE



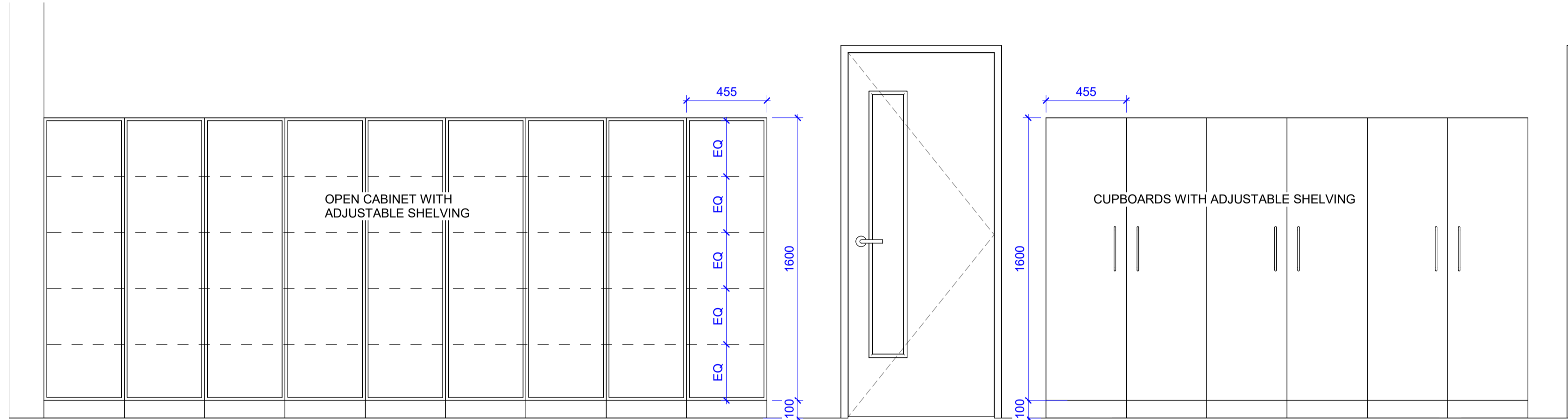
**TYPE B  
D054.1, D088.1**  
 • VISION PANEL WITH INTERSTITIAL PRIVACY BLIND  
 • CLOSER  
 • MANUAL EUROPROFILE KEYLOCK WITH THUMBTURN  
 • LEVER HANDLE



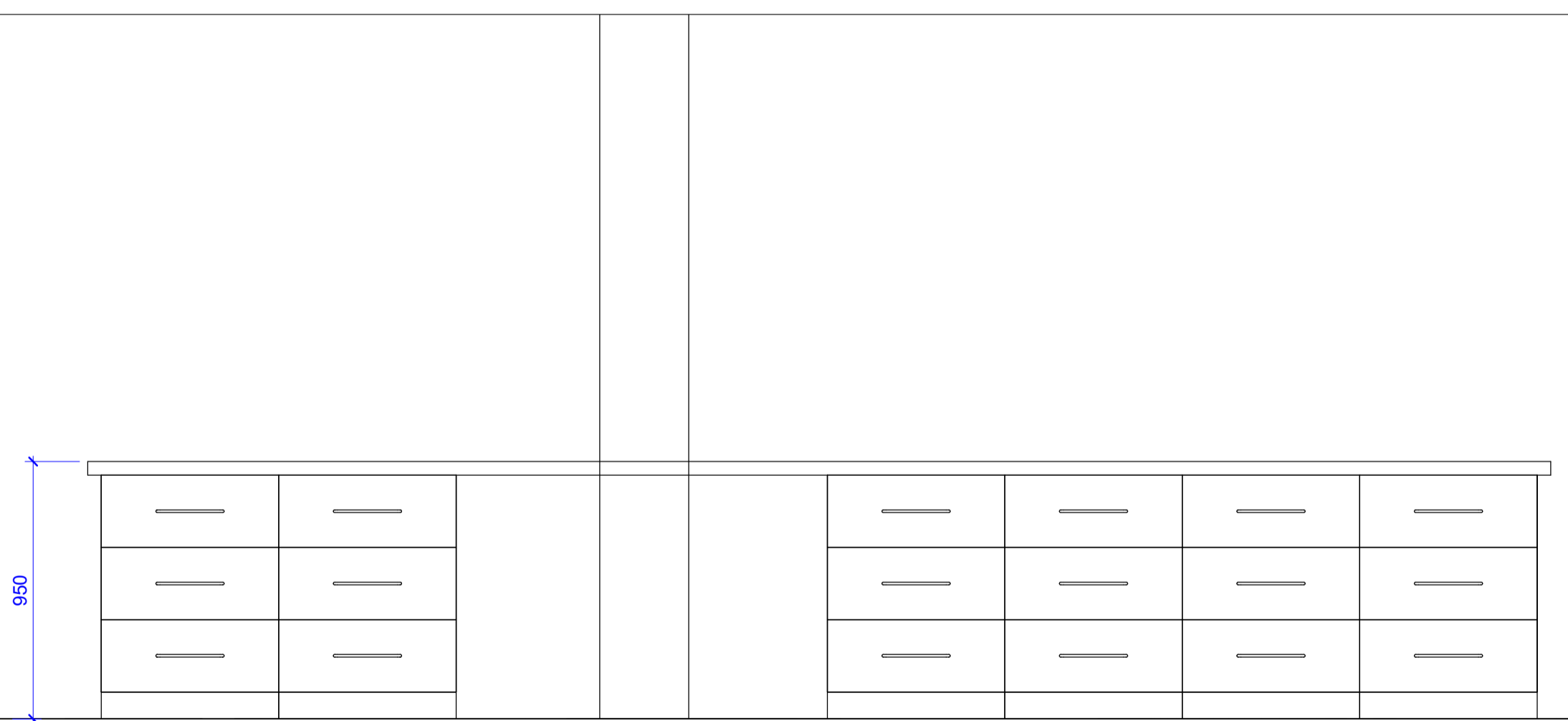
**1 DISPENSARY HATCH**  
 1 : 20



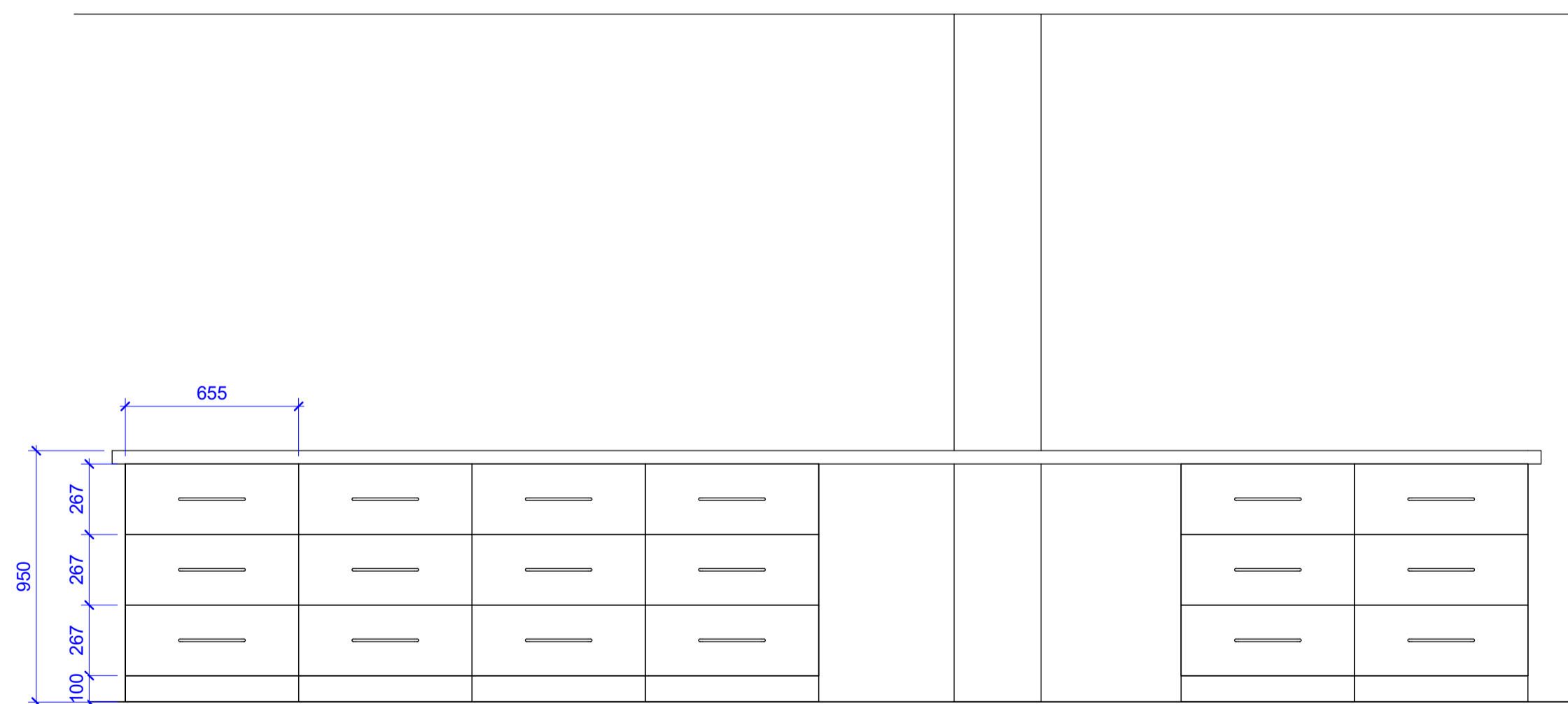
**3 BENCH UNIT AT DISPENSARY WINDOW WALL**  
 1 : 20



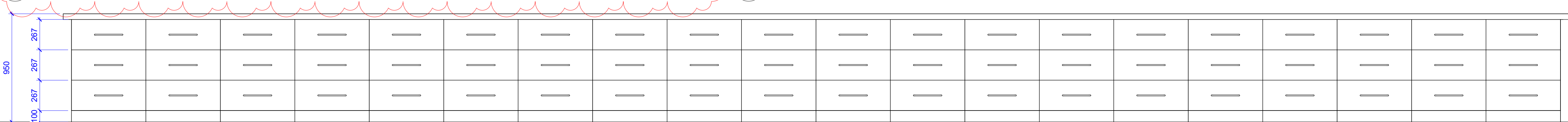
**4 STORAGE SYSTEM FOR CHECKED ITEMS**  
 1 : 20



**6 ISLAND BENCH UNIT WITH CUPBOARD 1**  
 1 : 20

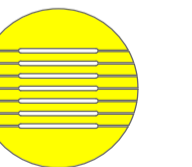


**7 ISLAND BENCH UNIT WITH DRAWERS 2**  
 1 : 20



**2 BENCH UNIT ALONG ROBOT**  
 1 : 20

NO | REVISION | DATE | INT | CHK |  
 desM  
 Architects  
 STUDIO 106, 31 OLD ENKINWELL CLOSE, LONDON EC4R 0AT  
 T: 020 8669 0120 E: mail@desm.co.uk



TENDER

CLIENT  
 LDH

JOB  
 1269  
 LDH Pharmacy

TITLE  
 DOOR & FURNITURE SCHEDULE

SCALE (@ A1) DRAWN BY CHECKED BY DATE  
 1 : 20 Author - 07/05/21  
 DRAWING NUMBER REV  
 1269-DESM-SCH-01-A-005 T1